

深圳市溢彩光电科技有限公司

地址：深圳市龙华大浪南路老围第二工业区 B 栋 2 楼电梯侧

电话：0755-28446821

传真：0755-82413339

邮箱：sales@yicailighting.com
sales@yicai-china.com

网站：www.yicailighting.com

Shenzhen Yicai lighting co.,ltd

Address:Floor 2,Block B,Laowei 2nd industry park,Dalang
south Road,Longhua Town,Shenzhen City,Guangdong,China

Tel:86-755-28446821

Fax:86-755-82413339

Email:sales@yicailighting.com
sales@yicai-china.com

Website:www.yicailighting.com





深圳市溢彩光电科技有限公司
SHENZHEN YICAI LIGHTING CO.,LTD

YICAI Lead Green Lighting

Professional LED lights manufacture
专业LED灯具生产制造企业

深圳市溢彩光电科技有限公司 SHENZHEN YICAI LIGHTING CO., LTD



公司介绍

深圳市溢彩光电科技有限公司是专注 LED 商业照明应用的集设计、研发、生产、销售为一体的高新技术型企业。公司拥有完善的五金机械加工车间、自动贴片机生产车间、光学测试及专业的产品老化测试车间。公司研发设计的 LED 照明产品外观精致高档，金属质感强，并按国际标准尺寸进行科学设计，产品全球通用。采用高导热铝做为导热散热材料，高级电子陶瓷做绝缘底座，科学有效地解决了 LED 光源的散热及照射光斑均匀等难题，其创新理念及卓越设计均属行业首创。

公司的产品主要有：LED 射灯，LED 日光灯，LED 筒灯，LED 面板灯，LED 泛光灯等照明产品。

深圳市溢彩光电科技有限公司自成立以来地一直致力于成为国际领先的 LED 照明产品提供者及解决方案专家。解决方案旨在为客户在降低运营成本，提高生产效率，并缓解全球严峻的环境污染问题。深圳溢彩光电正和大家一起走向更加环保和人性的 LED 照明时代。

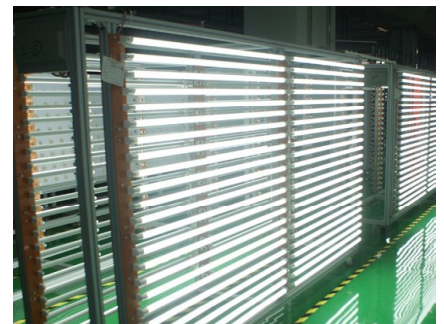
为 LED 商业照明行业的前驱和创新者，深圳溢彩光电能帮助企业实现 LED 商业照明投资收益最大化，并在这方面取得了丰硕的成果。我们公司的照明产品采用最先进的散热管理以及照明灯具设计，产品质量和性能均达到国际水准。

Company Profile

Shenzhen Yicai Lighting Co., Ltd is a high-tech enterprise specializing in LED lighting which supplying with professional design, R&D, production, and sales services. Equipped with advanced mechanical processing shop, automatic surface mount system workshop, optical testing instrument and perfect aging shop. The lighting products developed by us are with fine appearance grade, strong metallic, standardized with international dimensions which is applied globally. We use thermal conductivity of aluminum as the radiating material, develop advanced electronic ceramic as the insulating base, which brings effective solution to the led light source of irradiation spot uniformity and other problems, its innovative and design concept are leading the green lighting products and solutions worldwide.

Our main products covers LED spotlight, LED tubes, LED down light, LED panel light, LED flood light etc indoor commercial and outdoor lighting.

Shenzhen Yicai Lighting company is making effort to support our customer to lower operation costs, increase productivity and alleviate the serious global environmental problems. We're getting into more environmentally and humanized LED commercial lighting times. As a pioneer and innovator on LED commercial lighting industry, we can help you maximize the return on investment in commercial lighting, and achieved fruitful results. Our company's commercial lighting products uses the most advanced digital controls, thermal management and lighting design, product quality and performance are up to international standards.



溢彩光电 LED 灯具制造专家

YICAI Lead Green Lighting



目录

Contents

LED Spot light	
LED 射灯	1-3
LED bulb	
LED 球泡灯	3
LED Tubes	
LED 灯管	4-6
LED downlight	
LED 筒灯	7

LED SPOT LIGHT Epistar Series

Why EPISTAR

Epistar Corp. is the largest manufacturer of light-emitting diodes (LEDs) in Taiwan, established in 1996, and its headquarters are in the Northern Taiwanese city of Hsinchu. In 2009 it had an annual turnover of NT\$10 billion. Epistar specialises in high-brightness LED products, which are used in general lighting, traffic signals, and various consumer products such as LED lights and laptop computers. The Epistar LED chips had been widely used in 3528, 3014, 2835, 5730, 1W/3W and COB LEDs.



YC-S31-01



Base	GU10/E27/G5.3
Input Voltage	AC80-240V/12V
Power	3W
Color	WW/NW/CW
Lumen	270-290Lumen
Dimmable	No
Size	Φ50×54mm
CRI	
Angle	30°/45°/60°



YC-S32-01



Base	GU10/E27/G5.3
Input Voltage	AC80-240V/12V
Power	5-6W
Color	WW/NW/CW
Lumen	380-400Lumen
Dimmable	No
Size	Φ50×65mm
CRI	
Angle	30°/45°/60°



YC-S32-02



Base	GU10/E27/G5.3
Input Voltage	AC80-240V/12V
Power	5-6W
Color	WW/NW/CW
Lumen	380-400
Dimmable	No
Size	Φ50×62mm
CRI	
Angle	30°/45°/60°



YC-S42-01



Base	GU10/E27
Input Voltage	AC80-240V/12V
Power	7-8W
Color	WW/NW/CW
Lumen	480-500
Dimmable	No
Size	Φ50×62mm
CRI	
Angle	30°/45°/60°



YC-S52-01



Base	GU10/E27/
Input Voltage	AC80-240V/12V
Power	9-10W
Color	WW/NW/CW
Lumen	630-450
Dimmable	No
Size	Φ50×95mm
CRI	
Angle	30°/45°/60°

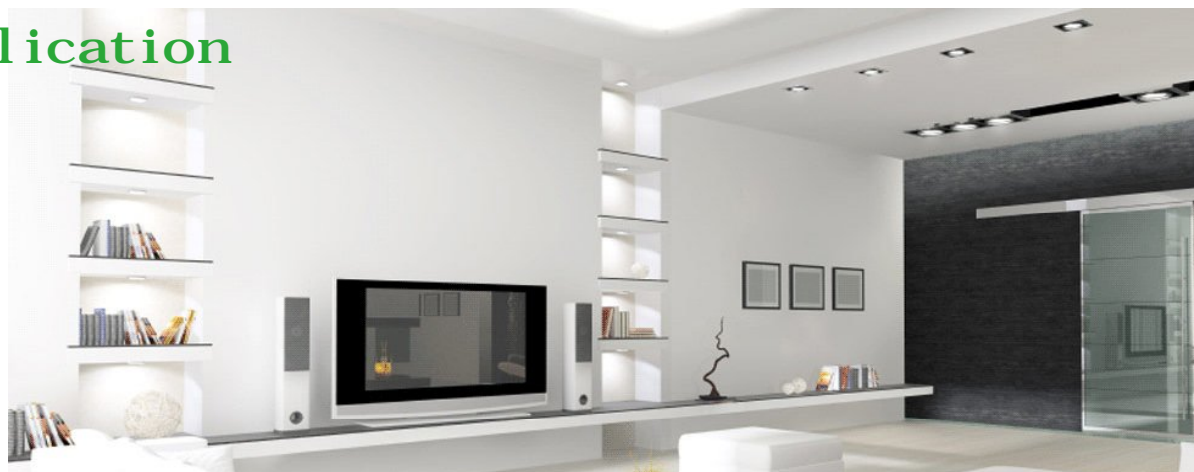


YC-AR91-01



Base	G53/GU10
Input Voltage	AC80-240V/12V
Power	9-10W
Color	WW/NW/CW
Lumen	880-900
Dimmable	No
Size	Φ111×65mm
CRI	
Angle	30°/45°/60°

Application



LED SPOT LIGHT

P1



RoHS



LED SPOT LIGHT CREE Series

Why CREE

Cree, Inc. - Cree is a market-leading innovator and manufacturer of semiconductors and devices that enhance the value of power, solid-state lighting and communications products by significantly increasing their energy performance and efficiency. Key to Cree's market advantage is its world-class materials expertise in silicon carbide (SiC) and gallium nitride (GaN) for chips and packaged devices that can handle more power in a smaller space while producing less heat than other available technologies, materials and products.



YC-SC32-01



Base	GU10/E27/G5.3
Input Voltage	AC80-240V/12V
Power	5-6W
Color	WW/NW/CW
Lumen	400-420Lumen
Dimmable	No
Size	Φ50×54mm
CRI	
Angle	30°/45°/60°



YC-SC42-01



Base	GU10/E27/G5.3
Input Voltage	AC80-240V/12V
Power	7-8W
Color	WW/NW/CW
Lumen	540-560
Dimmable	No
Size	Φ50×65mm
CRI	
Angle	30°/45°/60°

LED SPOT LIGHT

LED SPOT LIGHT SHARP Series

Why SHARP

Sharp's innovative use of an inert, non-reactive ceramic substrate (versus metal) provides optimal heat dissipation without discoloration. The result is low color shift with consistent lumen output over time. A uniform Light Emitting Surface (LES) makes optical design easier, improves light quality, and allows you to create more elegant products. All Sharp LEDs meet or exceed the ENERGY STAR® minimum requirement of 80 CRI. The color of the LED spot, could be silver.



YC-SS5-01



Base	GU10/E27/G5.3
Input Voltage	AC80-240V/12V
Power	4-5W
Color	WW/NW/CW
Lumen	360-380Lumen
Dimmable	No
Size	Φ50×54mm
CRI	
Angle	30°/45°/60°



YC-SS7-01



Base	GU10/E27/G5.3
Input Voltage	AC80-240V/12V
Power	6-7W
Color	WW/NW/CW
Lumen	570-590
Dimmable	No
Size	Φ50×65mm
CRI	
Angle	30°/45°/60°

P2

LED SPOT LIGHT COB Series

ABOUT COB LED

Sharp's innovative use of an inert, non-reactive ceramic substrate (versus metal) provides optimal heat dissipation without discoloration. The result is low color shift with consistent lumen output over time. A uniform Light Emitting Surface (LES) makes optical design easier, improves light quality, and allows you to create more elegant products. All Sharp LEDs meet or exceed the ENERGY STAR® minimum requirement of 80 CRI.



YC-SC03-01



Base	GU10/E27/G5.3
Input Voltage	AC80-240V/12V
Power	3W
Color	WW/NW/CW
Lumen	250-270Lumen
Dimmable	No
Size	Φ50×54mm
CRI	
Angle	30°/45°/60°



YC-SC05-01



Base	GU10/E27/G5.3
Input Voltage	AC80-240V/12V
Power	5W
Color	WW/NW/CW
Lumen	430-450Lumen
Dimmable	No
Size	Φ50×54mm
CRI	
Angle	30°/45°/60°

LED SPOT LIGHT OSRAM Series

Why OSRAM

Lamps and lighting systems from OSRAM provide the basis for a beautiful view of things, ensure safety and comfort, allowing for the efficient use of resources. For more than 100 years, OSRAM has been "passionate about intelligent light". This PAR30 LED lamp have long time quiet fan inside,keep excellent hot transiction,and longer lamp life.



Base	E27
Input Voltage	AC80-240V
Power	25W
Color	WW/NW/CW
Lumen	1800-1900Lumen
Dimmable	No
Size	Φ95×120mm
CRI	
Angle	25°/45°/80°

YC-PS25-01



Base	E27
Input Voltage	AC80-240V
Power	35W
Color	WW/NW/CW
Lumen	2500-2600Lumen
Dimmable	No
Size	Φ95×120mm
CRI	
Angle	25°/45°/80°

YC-PO35-01



Application



LED BULB LIGHT 5730 Series

why 5730

5730 LED made of EPISTAR LED chip, is 0.5W/PCS, would transit hot much better than 1W LEDs, as the light would be produced by more LEDs, this light produced could be much more uniform and beautiful.



Base	E27/E14
Input Voltage	AC80-240V/12V
Power	5W
Color	WW/NW/CW
Lumen	430-450Lumen
Dimmable	No
Size	Φ50×54mm
CRI	
Angle	30°/45°/60°

YC-B51-01



Base	E27/E14
Input Voltage	AC80-240V/12V
Power	7W
Color	WW/NW/CW
Lumen	610-630Lumen
Dimmable	No
Size	Φ50×54mm
CRI	
Angle	30°/45°/60°

YC-B71-01





RoHs



LED TUBE LIGHT 2835 Series

Why 2835 led

2835 LED itself have a heat sink at its back, and the LED chip is very close the heat sink, so its hot transition is fantastic. The 2835 LED have much bigger viewing angle, so it could produce much more beautiful light, uniform, no light spot. This special package 2835 LED let itself have lower price which help keep the LED tubes competitive.

Why YICAI LED tubes

- r 5Years focused on LED Tubes
- r 2835 LED from listed company in China with Epistar chip inside
- r High thermal conductivity MPCB and O603 aluminium body
- r Uniform light with no light spot
- r Excellent quality with competitive price
- r Professional LED tube driver from LIFUD
- r 3 SMT Machines and whole set of LED tube test equipment
- r 48Hours aging test and 100% function test before package

ORDINARY LED TUBE



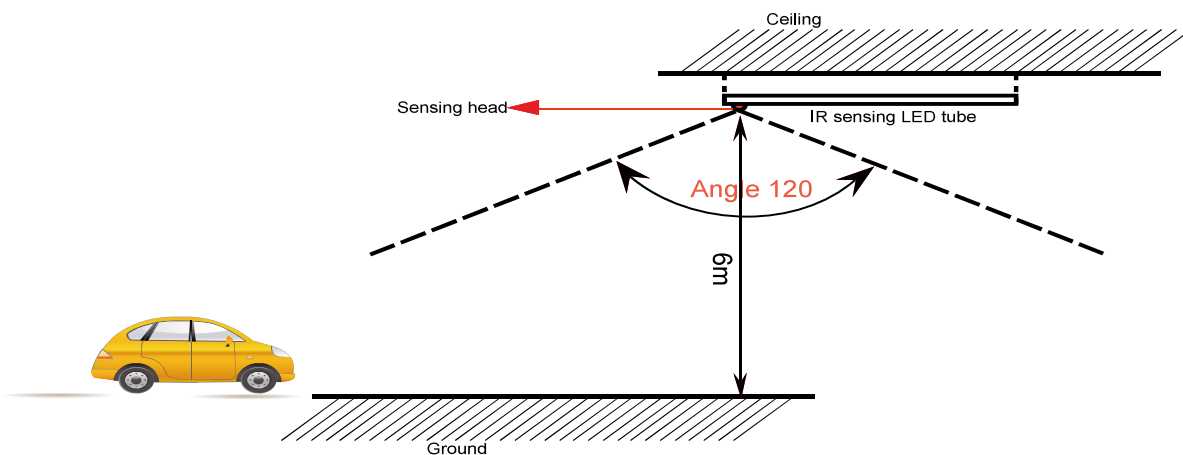
Item Num.	YC-T8S-60-48	YC-T8S-90-72	YC-T8S-120-96	YC-T8S-150-120
Length	60cm	90cm	120cm	150cm
Materials	Alumium+pc	Alumium+pc	Alumium+pc	Alumium+pc
Voltage	AC80-240V	AC80-240V	AC80-240V	AC80-240V
Power	9-10W	14-15W	19-20W	24-25W
Color	WW/NW/CW	WW/NW/CW	WW/NW/CW	WW/NW/CW
Lumen	930-950	1360-1380	1800-1820	2240-2260
Power factor	>0.9	>0.9	>0.9	>0.9
Cover type	fost/transparent	fost/transparent	fost/transparent	fost/transparent
Angle	140°	140°	140°	140°
CRI	Ra>80	Ra>80	Ra>80	Ra>80
Cer ficate	CE/RoHs	CE/RoHs	CE/RoHs	CE/RoHs

IR Sensing LED TUBE



Item Num.	YC-IT8S-60-48	YC-IT8S-90-72	YC-IT8S-120-96	YC-IT8S-150-120
Length	60cm	90cm	120cm	150cm
Materials	Alumium+pc	Alumium+pc	Alumium+pc	Alumium+pc
Voltage	AC80-240V	AC80-240V	AC80-240V	AC80-240V
Power	9-10W	14-15W	19-20W	24-25W
Color	WW/NW/CW	WW/NW/CW	WW/NW/CW	WW/NW/CW
Lumen	930-950	1360-1380	1800-1820	2240-2260
Power factor	>0.9	>0.9	>0.9	>0.9
Cover type	fost/transparent	fost/transparent	fost/transparent	fost/transparent
Angle	140°	140°	140°	140°
CRI	Ra>80	Ra>80	Ra>80	Ra>80
Cer ficate	CE/RoHs	CE/RoHs	CE/RoHs	CE/RoHs

Application



DIMMABLE LED TUBE



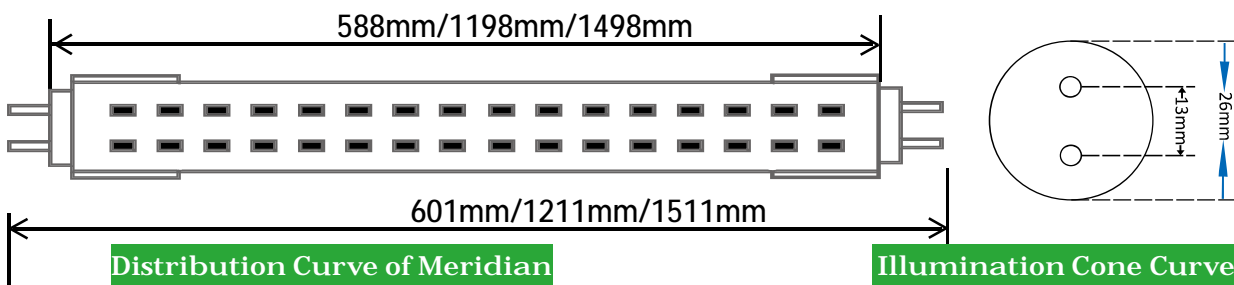
Item Num.	YC-DT8S-60-48	YC-DT8S-90-72	YC-DT8S-120-96	YC-DT8S-150-120
Length	60cm	90cm	120cm	150cm
Materials	Alumium+pc	Alumium+pc	Alumium+pc	Alumium+pc
Voltage	AC80-240V	AC80-240V	AC80-240V	AC80-240V
Power	9-10W	14-15W	19-20W	24-25W
Color	WW/NW/CW	WW/NW/CW	WW/NW/CW	WW/NW/CW
Lumen	930-950	1360-1380	1800-1820	2240-2260
Power factor	>0.9	>0.9	>0.9	>0.9
Cover type	fost/transparent	fost/transparent	fost/transparent	fost/transparent
Angle	140°	140°	140°	140°
CRI	Ra>80	Ra>80	Ra>80	Ra>80
Cer ficate	CE/RoHs	CE/RoHs	CE/RoHs	CE/RoHs

External driver LED TUBE



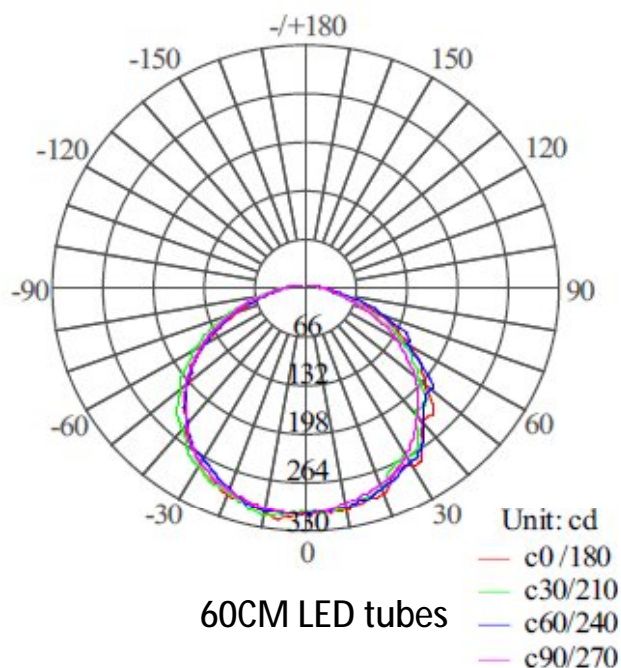
Item Num.	YC-DT8S-60-48	YC-DT8S-90-72	YC-DT8S-120-96	YC-DT8S-150-120
Length	60cm	90cm	120cm	150cm
Materials	Alumium+pc	Alumium+pc	Alumium+pc	Alumium+pc
Voltage	AC80-240V	AC80-240V	AC80-240V	AC80-240V
Power	9-10W	14-15W	19-20W	24-25W
Color	WW/NW/CW	WW/NW/CW	WW/NW/CW	WW/NW/CW
Lumen	930-950	1360-1380	1800-1820	2240-2260
Power factor	>0.9	>0.9	>0.9	>0.9
Cover type	fost/transparent	fost/transparent	fost/transparent	fost/transparent
Angle	140°	140°	140°	140°
CRI	Ra>80	Ra>80	Ra>80	Ra>80
Cer ficate	CE/RoHs	CE/RoHs	CE/RoHs	CE/RoHs

DIMENSIONS



Distribution Curve of Meridian

Illumination Cone Curve



H[m]	Diameter[m]	Illuminance[lx]
1.0		326.36
2.0		81.59
3.0		36.26
4.0		20.40
5.0		13.05
		12.66

60CM LED tubes

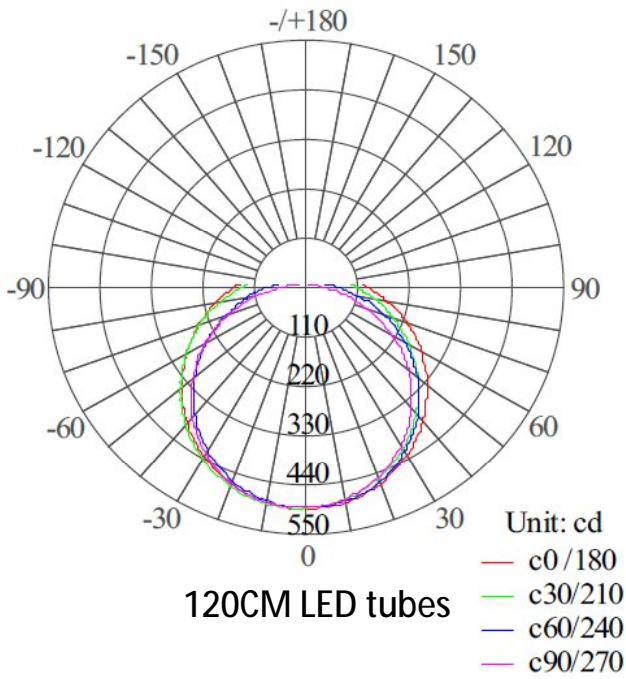
- C0-C180
- C90-C270



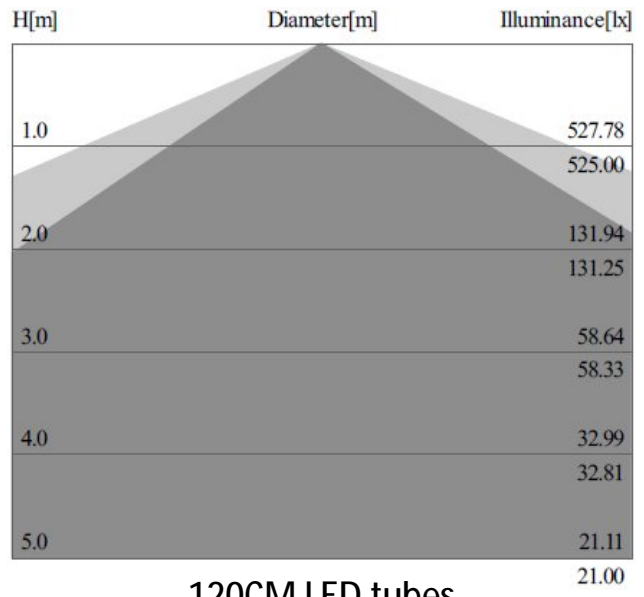
RoHs



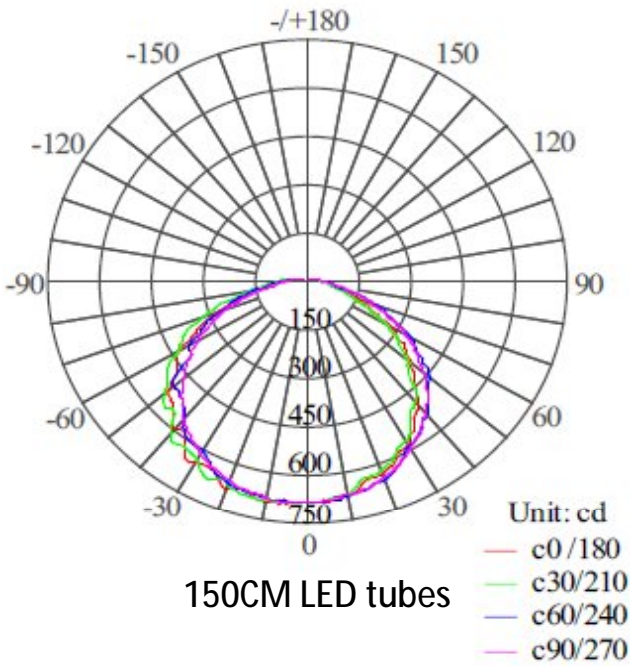
Distribution Curve of Meridian



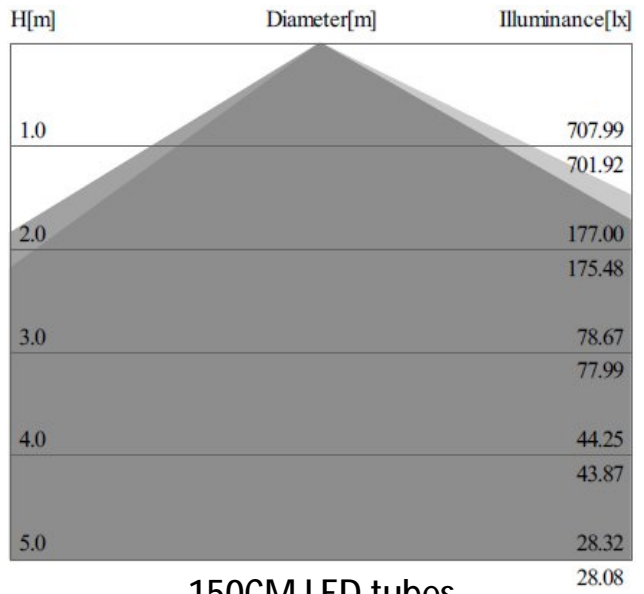
Illumination Cone Curve



Distribution Curve of Meridian



Illumination Cone Curve



PACKAGE



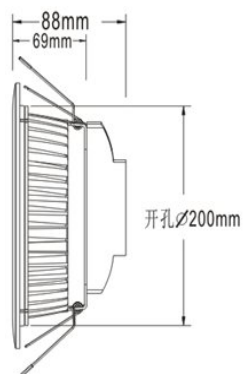
LED DOWNLIGHT A Series



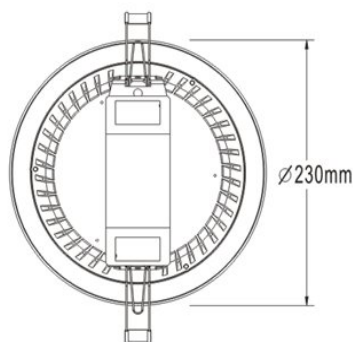
Item Num.	YC-DA307-01	YC-DA412-01	YC-DA517-01	YC-DA624-01	YC-DA830-01
Size	3inch	4inch	5inch	6inch	8inch
Materials	Aluminium	Alumium	Alumium	Alumium	Alumium
Voltage	AC80-240V	AC80-240V	AC80-240V	AC80-240V	AC80-240V
Power	7W	12W	17W	24W	36W
Light Color	WW/NW/CW	WW/NW/CW	WW/NW/CW	WW/NW/CW	WW/NW/CW
Lumen	570-590	1020-1040	1450-1470	2040-2060	3060-3080
Power factor	>0.9	>0.9	>0.9	>0.9	>0.9
LED source	Epistar 5730	Epistar 5730	Epistar 5730	Epistar 5730	Epistar 5730
Angle	120°	120°	120°	120°	120°
CRI	Ra>80	Ra>80	Ra>80	Ra>80	Ra>80
Lamp color	white/Silver	white/Silver	white/Silver	white/Silver	white/Silver

LED Downlight

Pictuer



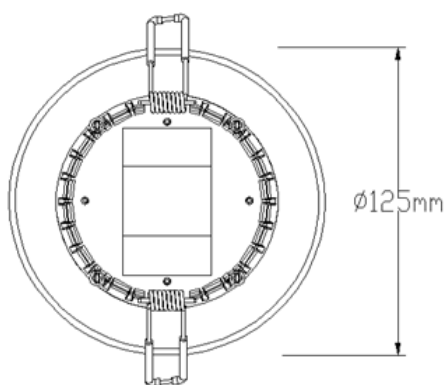
8Inch LED downlight



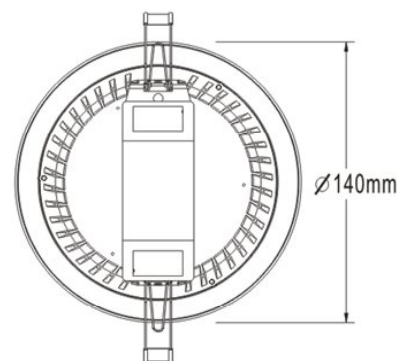
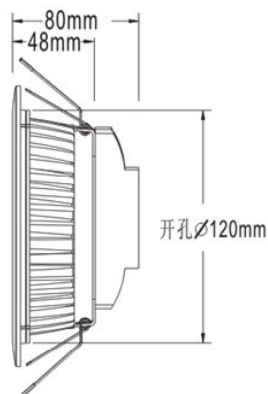
SIZE(mm)



3Inch LED downlight

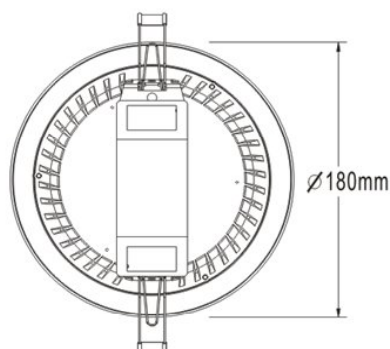
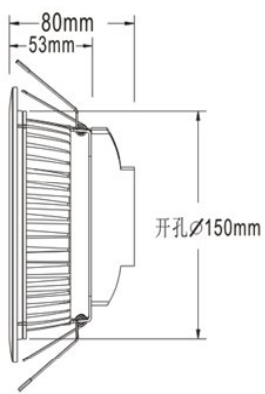


4Inch LED downlight



P7

5Inch LED downlight



6Inch LED downlight

